

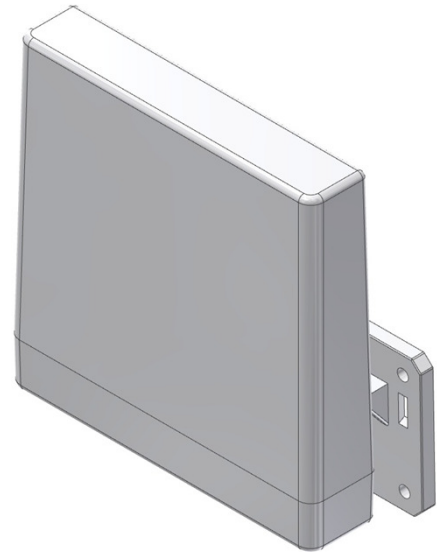
# CELL Patch Antenna

825~875 MHz / 7 dBi



## CELL-PA-07

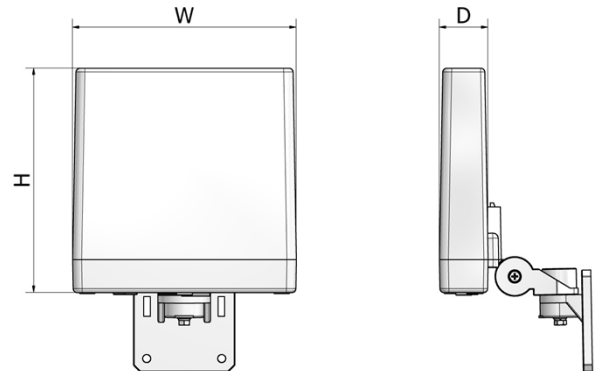
### i. Electrical Specification

Frequency Range	825~875 MHz	
Polarization	±45	
Band Width	50 MHz	
Gain	7 dBi ± 2	
Beam width	Horizontal	≥ 60°
	Vertical	≥ 50°
F-B ratio	-	
VSWR	1 : 2	
Impedance	50 Ω	
Maximum input power	5 W	

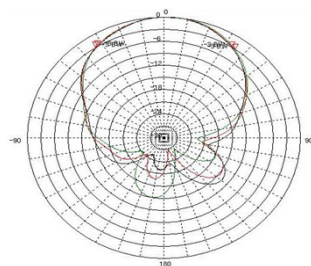


### ii. Mechanical Specification

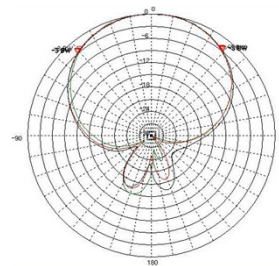
Radom Dimension ( H x W x D )	170 x 170 x 37 mm	
Weight ( Include bracket )	≤ 800 g	
Connector Type	N-Female or SMA-Female	
Withstand Wind Pressure	60 m/sec	
Radome Material	ABS, ASA	
Radome Color		
	Cool Gray 1C	Cool Gray 4C
Mechanical Down Tilt	Up, Down ± 25°	
	Left, Right ± 30°	
Temperature	-40 °C ~ 70 °C	
Packing Size (H x W x D) 10SET	-	
Packing Weight 10SET	-	



### iii. Radiation Pattern



Horizontal Pattern



Vertical Pattern